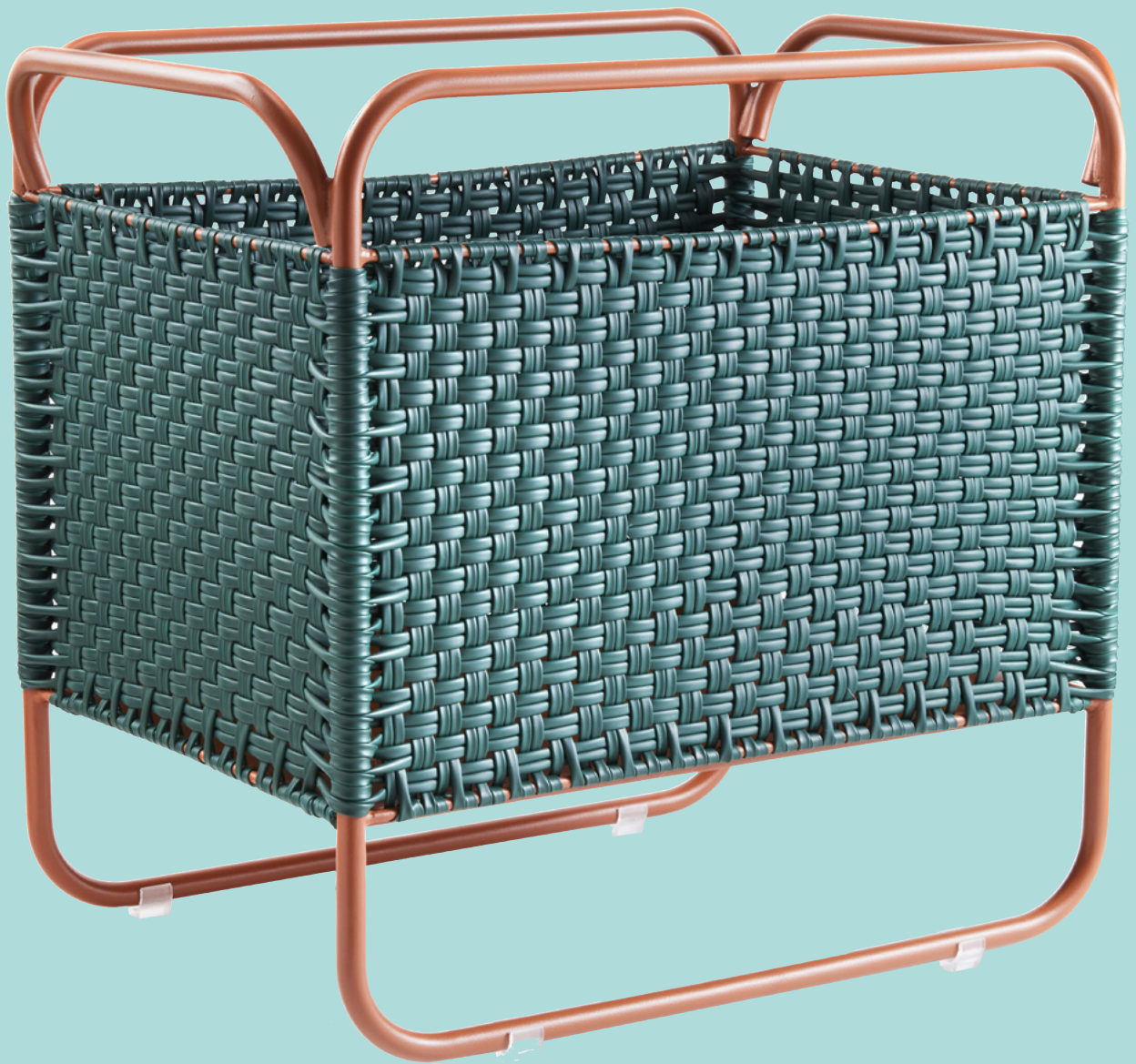


DICHAS

Side Table and Basket



ames

DICHAS

Side Table and Basket

Product type

Side Table and Basket

Materials

Galvanized and powder coated tubular steel, PVC strings made from recycled plastic

Colours

Side Table
curry yellow/black red
curry yellow/olive green

Basket, Type 1

copper/moss green
copper/black red
copper/honey yellow

Basket, Type 2

purple red/black red
purple red/olive green

Basket, Type 3

moss green/black red
moss green/moss green
moss green/honey yellow

Country of origin

Colombia

Place of use

Commercial and Residential

Environment

Indoor and outdoor

Customise product

Please contact
shop@amesliving.de
for bespoke version

Design and inspiration

The new Dichas Side Tables and Baskets, designed by Cristina Celestino, add a joyful pop of colour to any room. Their design combines a simple steel frame with ornaments hand-woven with PVC strings made from recycled plastic. These compact units can be used as handy side tables, smart planters or elegant storage for cushions, glasses or towels. "With Dichas, I wanted to create a collection of versatile storage pieces that can travel through different rooms of the house – and they can even find a place outdoors", says the Italian designer about the series.

Available in multiple colour combinations, the collection includes four pieces with different basket and shelf combinations.

About the designer

Cristina Celestino is one of the most prolific contemporary Italian designers. Her product and interiors share a softness, often defined by curved lines, a love for pastel hues and subtle links to Italy's rich design heritage. Celestino graduated from the School of Architecture at IUAV University of Venice in 2005 and started working as an interior and furniture designer. In 2009, she moved to Milan, a city whose art, architecture and history offer her constant inspiration. Since 2013, she runs her own design studio, in addition to her brand Design Attico. Cristina Celestino collaborates with brands from all over Italy and Europe. Her designs always reflect the unique heritage and character of these companies. Her contributions to the design world have been recognised by many international prizes and awards, including the Special Jury Prize in the "Salone del Mobile.Milano Awards" (2016). She's also repeatedly won the Elle Deco International Design Award in the category Wallcovering.

DICHAS

Side Table and Basket

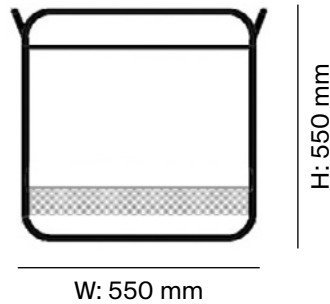


DICHAS

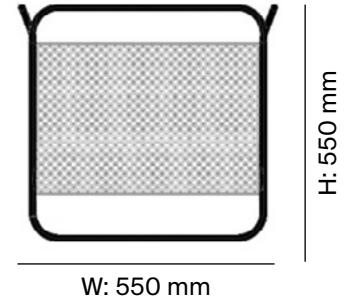
Side Table and Basket

Technical Specifications

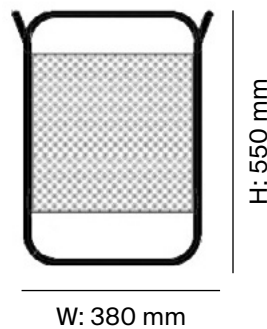
Side Table



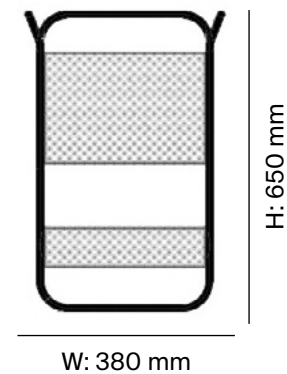
Type 1



Type 2



Type 3



Dimensions (mm)

Side Table
Height: 550
Width: 550
Depth: 380

Basket, Type 1
Height: 550
Width: 550
Depth: 380

Basket, Type 2
Height: 550
Width: 380
Depth: 380

Basket, Type 3
Height: 650
Width: 380
Depth: 380

Packaging dimensions

(H x W x D) (mm)

Side Table
590 x 590 x 600

Basket, Type 1
590 x 590 x 600

Basket, Type 2
590 x 590 x 600

Basket, Type 3
650 x 650 x 650

Item weight (kg)

Side Table, Type 1-3
8

Craft and manufacturing

Artisans in the ames partner workshops in Bogota, the capital of Colombia, weave the PVC strings, which are made from recycled plastic, around a powder-coated tubular steel frame. The weaving technique the artesanos and artesanias use is called Momposino, a traditional Colombian method to create intricate patterns. Our artisans work on one piece for around 13 days.

Care instructions

Wipe clean with a damp cloth (do not use scratchy materials like a steel scourer) and gentle soap. You can also hose them down with water. To protect the colours, avoid exposing the product to direct sunlight over long periods and store indoors during winter. Fitted cover sold separately. If the product is exposed to sea air, wipe the frame regularly with a damp cloth.

DICHAS

Side Table and Basket



DICHAS

Side Table, Type 1



curry yellow/black red
00ADIC2-A



curry yellow/olive green
00ADIC2-B



copper/moss green
00ADIC1-A



copper/black red
00ADIC1-B



copper/honey yellow
00ADIC1-C

DICHAS

Type 2, Type 3



purple red/black red
00ADIC3-A



purple red/olive green
00ADIC3-B



moss green/black red
00ADIC4-A



moss green/moss green
00ADIC4-B



moss green/honey
00ADIC4-C