

PAUL MATTER

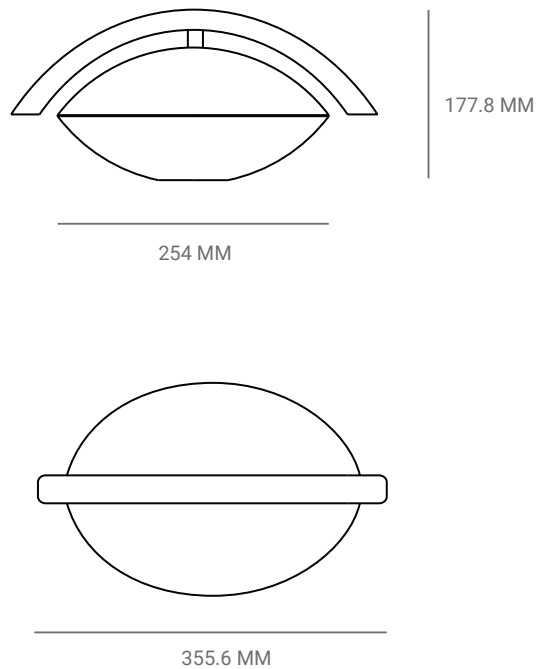


UNDERLAY I

TABLE LAMP

OVERLAY & UNDERLAY IS A COLLECTION OF LIGHTS BORN FROM A COLLABORATION WITH CLOTHES MAKER, KALLOL DATTA. THE COLLABORATION EXPLORES DIFFERENT APPROACHES TO LIGHT DESIGN, THAT BLEND THE TRADITIONAL AND THE EXPERIMENTAL, FORM AND FUNCTION, DETAIL AND BENIGN. THE COLLECTION IS COMPOSED OF A CEILING PENDANT, FLOOR LAMP AND LIMITED EDITION LIGHT PIECES.

PAUL MATTER



UNDERLAY I TABLE LAMP

P.CODE:
PMU1

DIMENSIONS:
W: 355.6 MM
H: 177.8 MM

WEIGHT:
5 KGS

LAMPING:
BLOWN GLASS LED TUBE
CE CERTIFIED, VOLTAGE 220V - 240V

MATERIALS:
BRASS AND BLOWN GLASS

CUSTOM FINISHES:
1. MIRROR CAST BRASS WITH BLOWN GLASS

LEAD TIME:
8 WEEKS
FINISHED AND ASSEMBLED BY HAND