

COLLECTOR

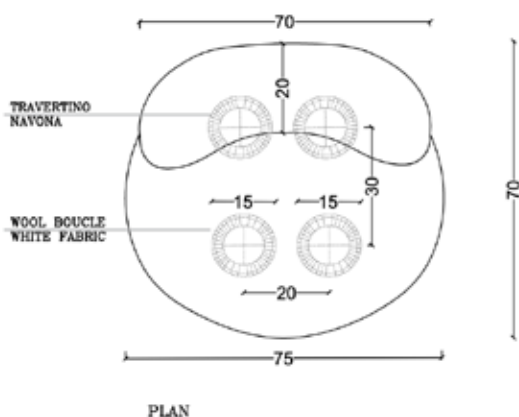
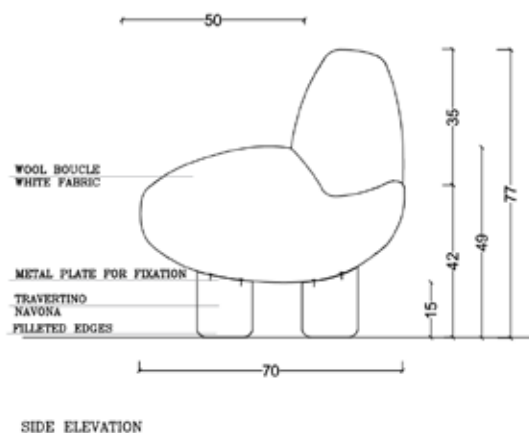
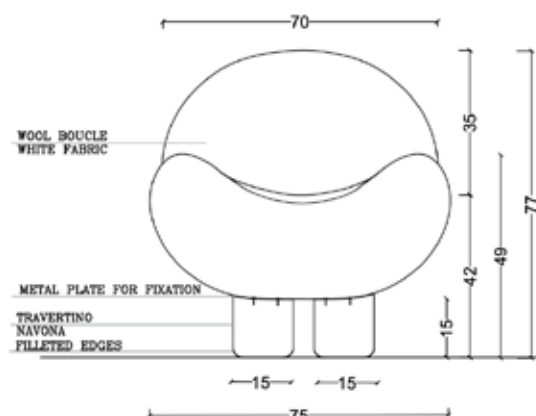
WWW.COLLECTORGROUP.PT

HYGGE LOUNGE

HYGGE LOUNGE

HYGGE COLLECTION IS INSPIRED BY CONTEMPORARY ARCHITECTURE IN PORTUGAL THAT SPEAKS OF ITS ROMANESQUE PAST BY HONORING THE ANTIQUES GEOMETRIS, SUCH AS THE ARCH AND THE COLUMN. SACCAL DESIGN HOUSE CHOSD TO REFLECT THESE ELEMENTS OF THE PAST IN THE COLLECTION BUT IN A CONTEMPORARY WAY.





W 75 CM | 30"
D 70 CM | 28"
H 77 CM | 30"
SH 42 CM | 17"

PRODUCT FEATURES

STRUCTURE IN SOLID OAK WOOD. UPHOLSTERED IN PIERRE FREY FABRIC. LEGS: TRAVERTINO

PRODUCT OPTIONS

UPHOLSTERY:
AVAILABLE IN ALL COLLECTOR FABRICS.
AVAILABLE IN CLIENT'S OWN MATERIAL.
WOODS FINISHES FOR THE LEGS:
AVAILABLE IN ALL COLLECTOR WOOD SWATCHES.

COM REQUIREMENTS FABRIC
4,00 MTS | 157"
BASED ON PLAIN FABRIC, STANDARD WIDTH 1,40 MTS | 55"

THE RIGHT TO DISCONTINUE AND MAKE CHANGES IS RESERVED.
THIS INFORMATION IS BASED ON THE LATEST PRODUCT INFORMATION AVAILABLE AT THE TIME OF PRINTING.

HYGGE
ARMCHAIR



COLLECTOR
WWW.COLLECTORGROUP.PT