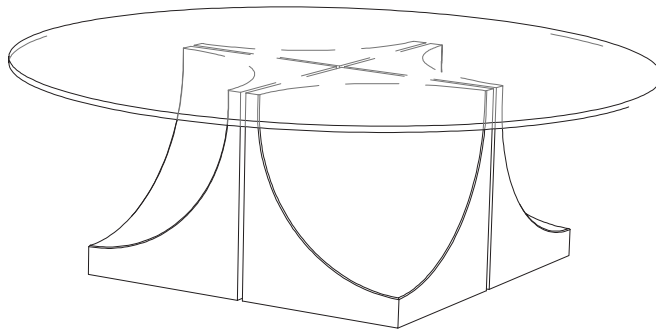
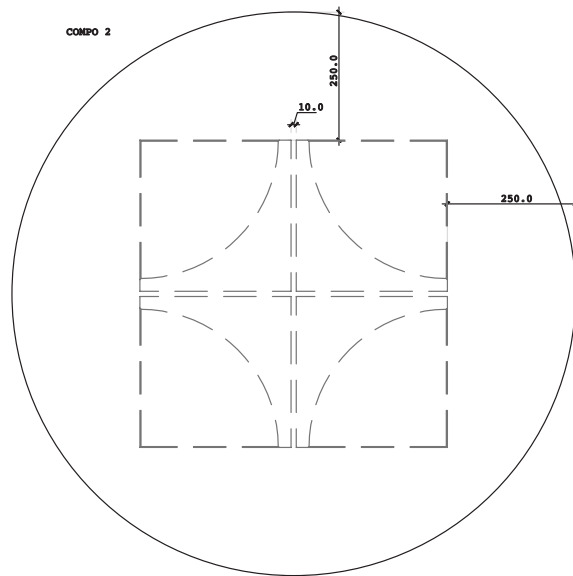


EDGE
CENTER TABLE 4 LEGS

FAMILY OF COFFEE TABLES, CONSOLE AND DINING TABLES
CHARACTERIZED BY AN ARCHITECTURAL AND SCULPTURAL
BASE, COMBINED WITH A GLASS TOP.



EDGE CENTER TABLE 4 LEGS



Ø 80 CM | 31"
H 35 CM | 13,8"

PRODUCT FEATURES

TABLE TOP IN GLASS OR CAST GLASS.
LEG IN TRAVERTINO.

PRODUCT OPTIONS

GLASS FINISHES:
AVAILABLE IN GLASS OR CAST GLASS.
LEG FINISHES:
AVAILABLE IN ALL COLLECTOR WOOD SWATCHES.
AVAILABLE IN ALL COLLECTOR MARBLE SWATCHES.

EDGE
CENTER TABLE 4 LEGS

