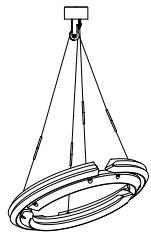


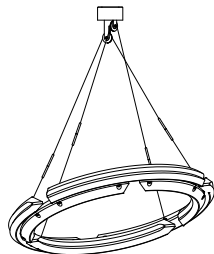
# KO Buitenhuis Specsheets

OJ Overview

---



Buitenhuis 120

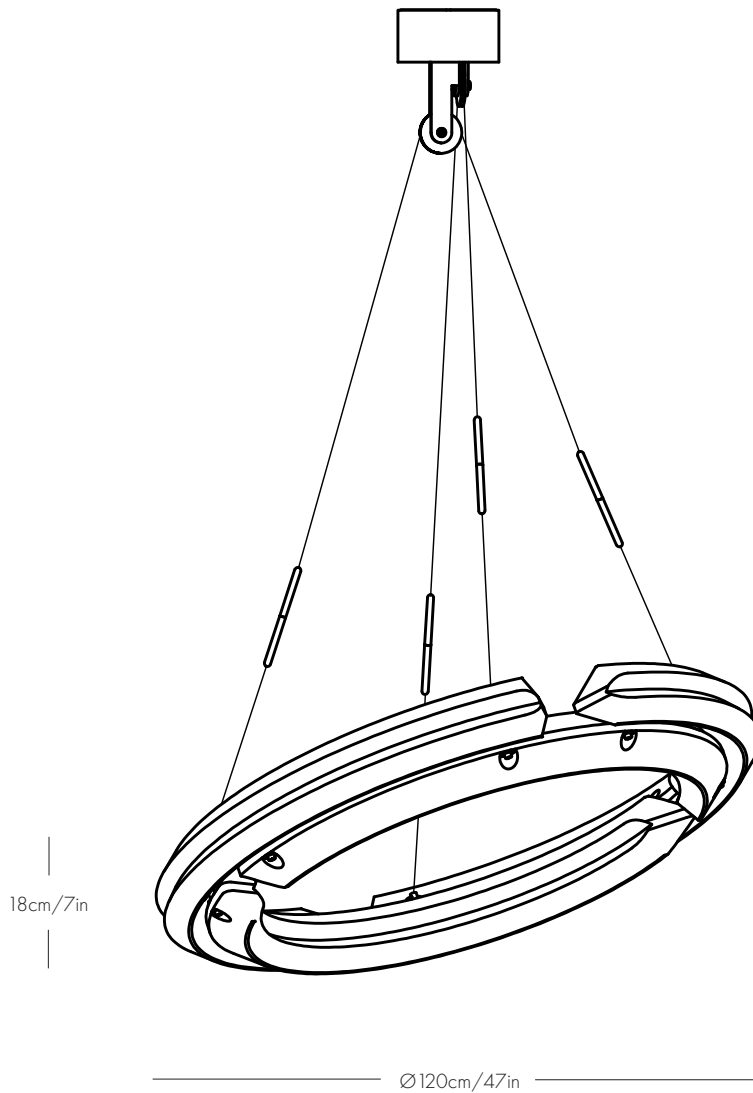


Buitenhuis 160

---

# KO OJ Buitenhuis 120

Specsheet



## Dimensions

L 120cm/47in  
W 120cm/47in  
H 18cm/7in

## Weight

25kg/55lb

## Materials

Recycled plastic, brass,  
steel, aluminium

## Suspension

Angle of fixture manually adjustable  
through tilting mechanism  
Suspension cables double as low  
voltage power cables  
Drop: Adjustable on site within  
150cm/59in to 500cm/197in  
(Longer or shorter drops are  
available upon request)  
Canopy: 20cm/8in round in  
textured RAL9010 finish

## Illumination

Replaceable LED modules  
Max. power consumption: 110 Watts  
Light output: 11000 Lumens  
Colour Temperature: 2700 K, 95+ CRI  
Life Hours: 50.000

## Power supply

Integrated in canopy  
Input: 100-240VAC 1.7A 50/60Hz,  
277VAC 0.7A 50/60Hz (North  
America only)  
Dimming: Choice between 3 in 1  
(resistance, 0-10Vdc or 10V PWM)  
and DALI  
Life Hours: 40.000

## Compliance

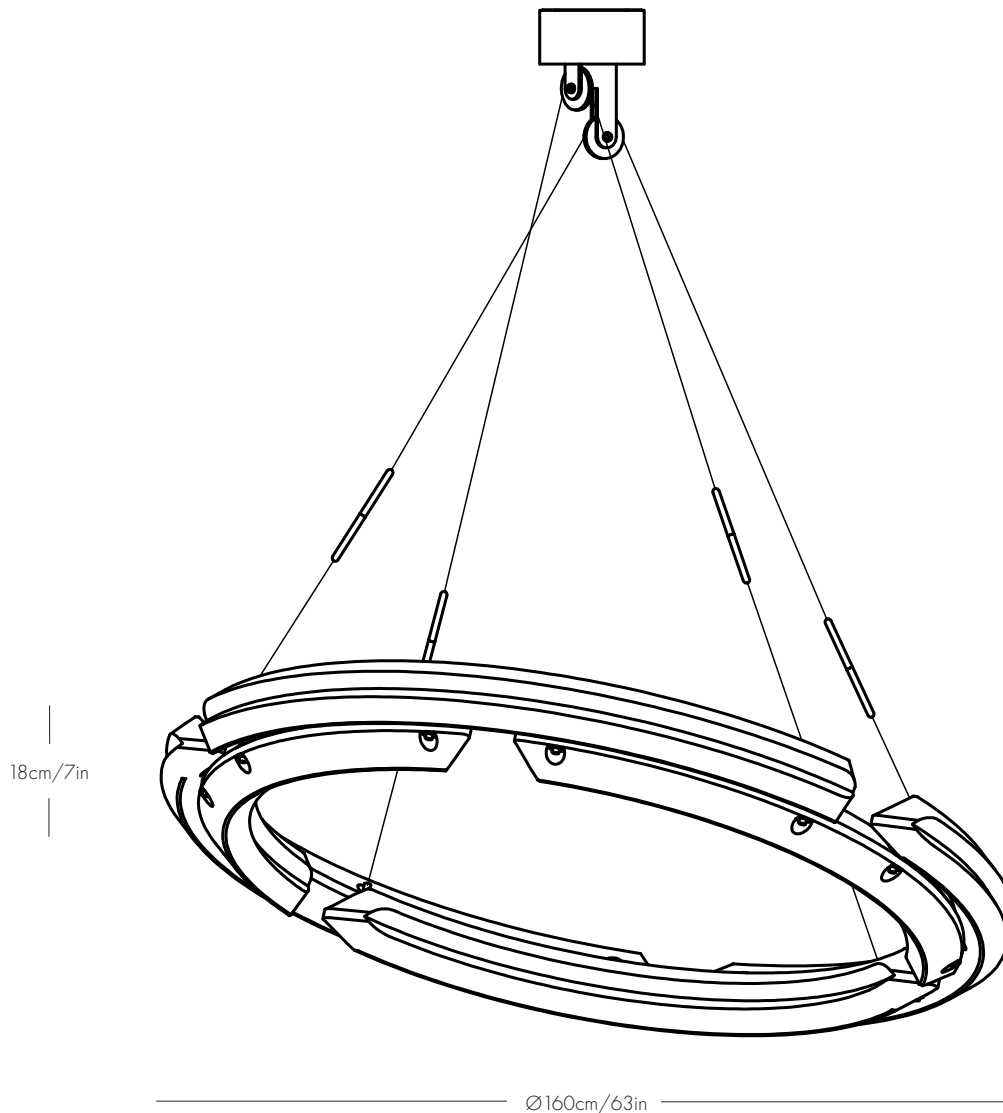
CE, transformers (100-240V to 24V)  
comply with UL standards.

## Maintenance

Clean with dry cloth  
Indoor use only

# KO OJ Buitenhuis 160

Specsheet



## Dimensions

L 160cm/63in  
W 160cm/63in  
H 18cm/7in

## Weight

35kg/77lb

## Materials

Recycled plastic, brass,  
steel, aluminium

## Suspension

Angle of fixture manually adjustable  
through tilting mechanism  
Suspension cables double as low  
voltage power cables  
Drop: Adjustable on site within  
150cm/59in to 500cm/197in  
(Longer or shorter drops are  
available upon request)  
Canopy: 20cm/8in round in  
textured RAL9010 finish

## Illumination

Replaceable LED modules  
Max power consumption: 153 Watts  
Light output: 15300 Lumens  
Colour Temperature: 2700K, 95+ CRI  
Life Hours: 50.000

## Power supply

Integrated in canopy  
Input: 100-240VAC 1.7A 50/60Hz,  
277VAC 0.7A 50/60Hz (North  
America only)  
Dimming: Choice between 3 in 1  
(resistance, 0-10Vdc or 10V PWM)  
and DALI  
Life Hours: 40.000

## Compliance

CE, transformers (100-240V to 24V)  
comply with UL standards.

## Maintenance

Clean with dry cloth  
Indoor use only